

Neutron Activation System

M. Isobe, K. Ogawa, M. I. Kobayashi, and S. Sangaroon

e-mail: kobayashi.makoto@nifs.ac.jp

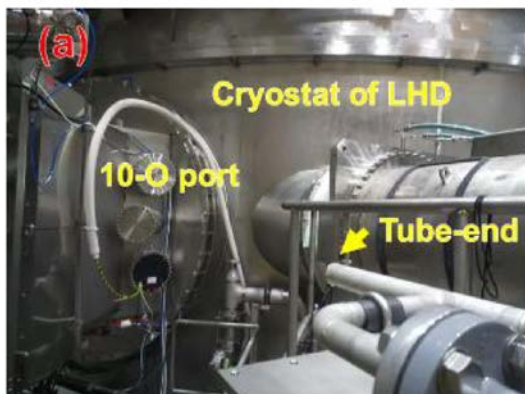
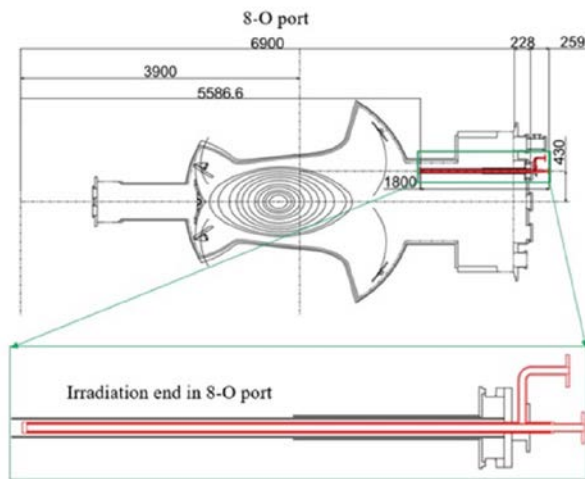
1. Objective

Measurement of absolute neutron fluence by means of Rabbit systems and high-purity germanium detectors.

2. Apparatus

Rabbit system (8-O and 10-O)

It can carry material whose size is less than ϕ 10 mm and weight is less than 10 g.



References

- [1] M. Isobe et al., Review of Scientific Instruments **81** (2010) 10D310.
- [2] N. Pu et al., Review of Scientific Instruments **88** (2017) 113302.
- [3] M. Isobe et al., IEEE Transactions on Plasma Science **46** (2018) 2050.

- [4] T. Nishitani et al., IEEE Transactions on Plasma Science **47** (2019) 12.
- [5] S. Sugiyama et al., Plasma and Fusion Research **14** (2019) 3403123.
- [6] T. Tanaka et al., Fusion Engineering and Design **146** (2019) 496.
- [7] S. Sugiyama et al., Nuclear Fusion **60** (2020) 076017.
- [8] Makoto I. Kobayashi et al., Plasma and Fusion Research **15** (2020) 2405043.