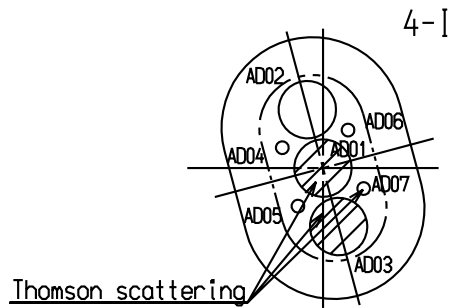


I port

G#02-010B-013

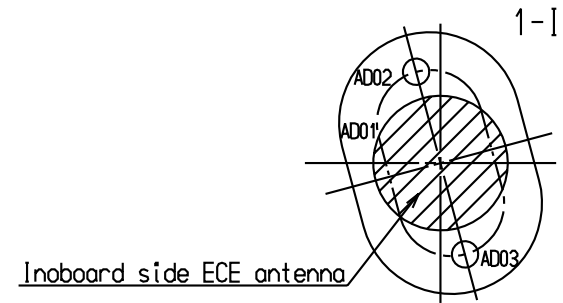
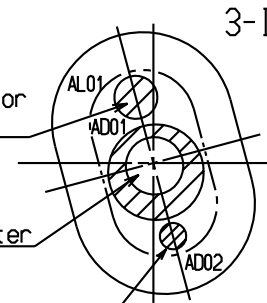


Thomson scattering

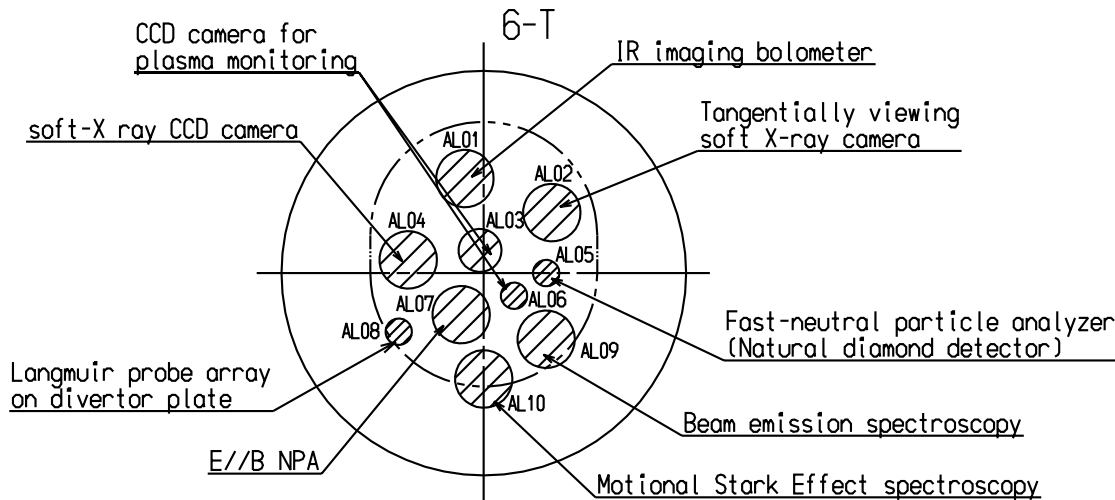
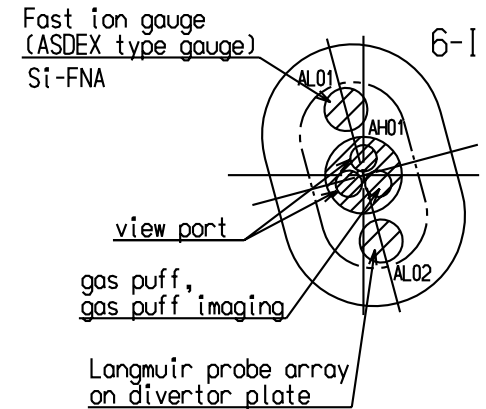
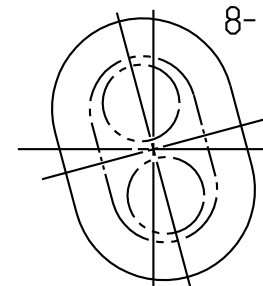
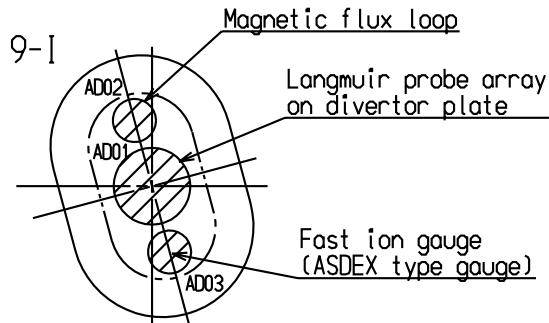
Alternative injection port for Pipe-gun pellet injector (I)

millimeter wave interferometer

ion monitor
Penning Spectroscopy



Inboard side ECE antenna



I, T Port (15cycle)

Scale=1/20

0#02-009L-010

2012/01/06